

# 200 Yard Slow Fire

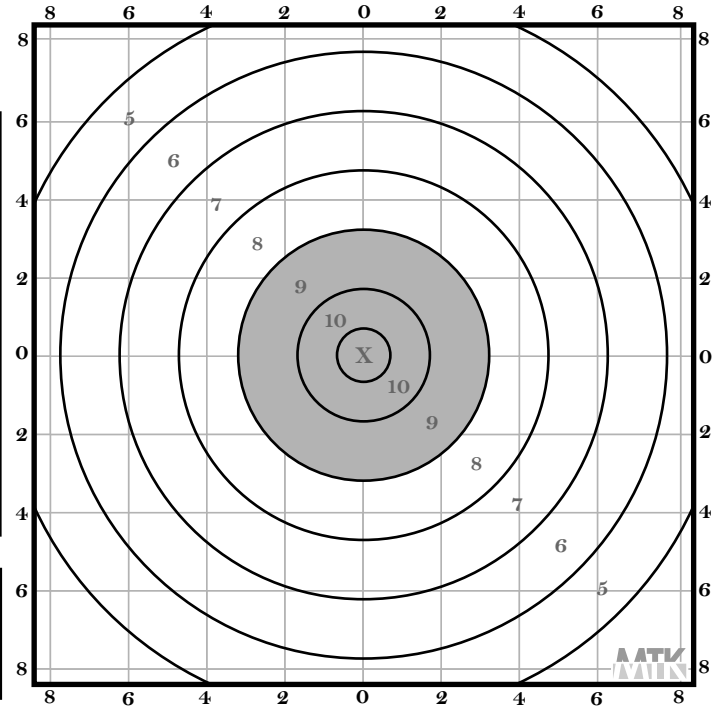
Date	Location	Target No.	Relay	Hour	Rifle
------	----------	------------	-------	------	-------

<b>Wind Direction</b>  MPH   Mirage:	<b>Sight Picture</b> 	<b>Light Direction</b>  Temperature:
--	--------------------------	--

<b>Ammunition</b>	
Bullet	Powder
Case	Primer

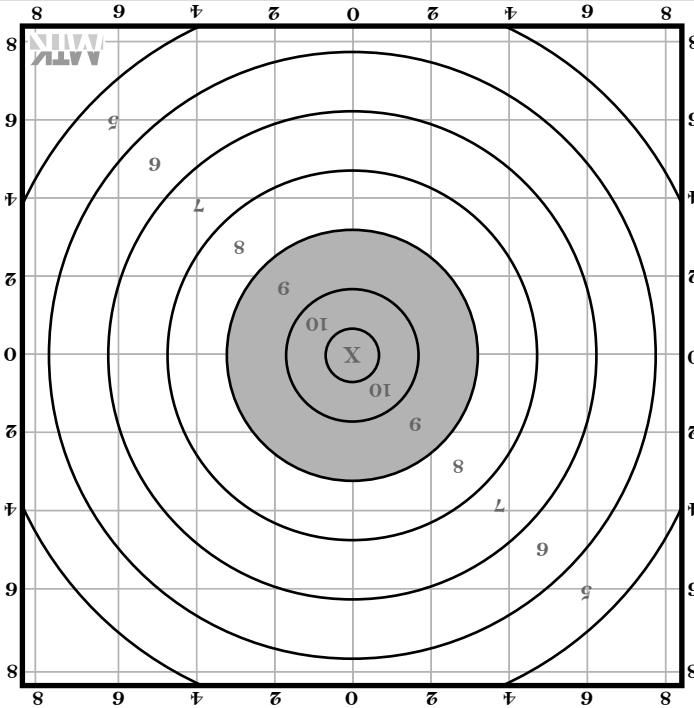
<b>Elevation</b>	<b>Windage</b>
Correct	Correct

	S1	S2	1	2	3	4	5	6	7	8	9	10
Elevation												
Windage												
Call												
Value												
	11	12	13	14	15	16	17	18	19	20		
Elevation												
Windage												
Call												
Value												



**Remarks**

**Total Score**



**Total Score**

**Remarks**

Value												
Call												
Windage												
Elevation												
	11	12	13	14	15	16	17	18	19	20		
Value												
Call												
Windage												
Elevation												
	S1	S2	1	2	3	4	5	6	7	8	9	10

<b>Elevation</b>	<b>Windage</b>
Correct	Correct

<b>Ammunition</b>	<b>Case</b>
Bullet	Primer
Powder	

<b>Wind Direction</b>  MPH   Mirage:	<b>Sight Picture</b> 	<b>Light Direction</b>  Temperature:
--	--------------------------	--

Date	Location	Target No.	Relay	Hour	Rifle
------	----------	------------	-------	------	-------

# 200 Yard Slow Fire